

## LWMH1 THRU-HOLE LOAD CELL (U.S. & METRIC)

### FEATURES & BENEFITS

- Capacities from 0.2 to 10 kN (45 to 2.25K lbf)
- Ideal for press force control and measurement
- Mounting holes for installation

### SPECIFICATIONS

ACCURACY → (MAX ERROR)		
Nonlinearity – %FS		±1
Hysteresis – %FS		±1
Nonrepeatability – %RO		±0.3
Creep, in 30 mon – %		±0.1
TEMPERATURE		
Effect on Zero – %RO / deg	°C	±0.02
Effect on Output – % / deg	°C	±0.02
Compensated Range	°C	0 to +60
	°F	+32 to +140
Operating Range	°C	-10 to +70
	°F	+14 to +158
ELECTRICAL		
Output – mV/V ± %		1 ± 20
Excitation Voltage – VDC		2 - 12
Bridge Resistance – Ohm		350
MECHANICAL		
Safe Overload – %RO		150
Deflection at Rated Capacity	mm	< 0.15
	in	< 0.006
IP Rating		IP60
Material		Aluminum

### OPTIONS

- Cable length
- Custom calibration
- Standardized output
- Add connector to cable
- Special temperature range
- Internal shunt resistor – 100% output
- Transducer Electronic Data Sheet (TEDS)

### CONNECTOR OPTIONS

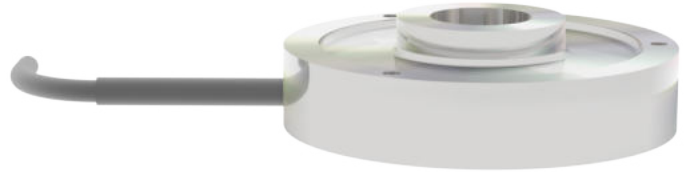
- 3 m (9.8 ft) integral cable

### ACCESSORIES

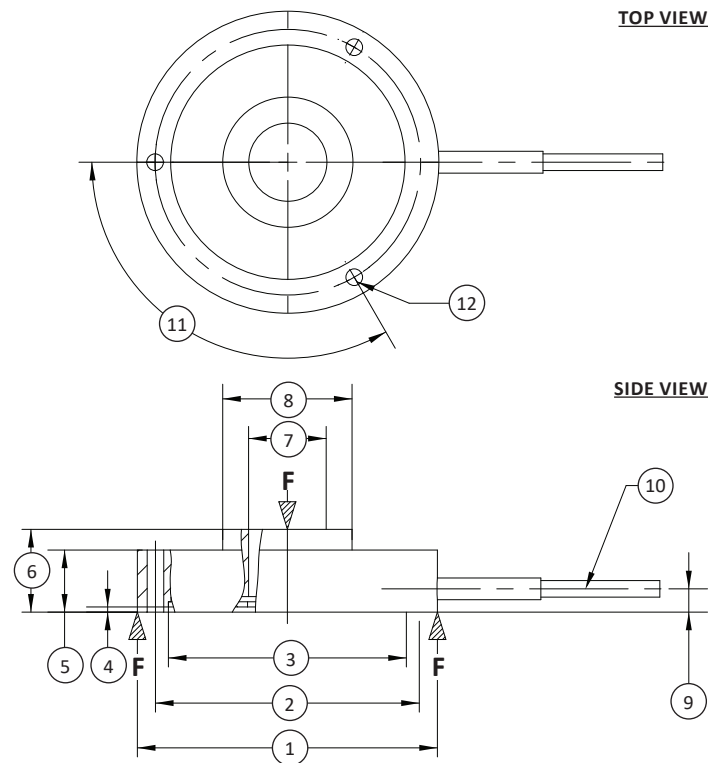
- Instrumentation

\* F indicates load Direction  
 U.S. dimensions and capacities are provided for conversion only. Standard products have International System of Units (SI) capacities and dimensions.

### STANDARD CONFIGURATION



Model LWMH1 (Shown)



### DIMENSIONS

See Drawing	CAPACITY	
	Metric (kN)	U.S. (lbf)
	0.2, 0.5, 1, 2, 5, 10	45, 112, 225, 450, 2.25K
	mm	in
(1)	∅58 2.3	∅2.3
(2)	∅51 2.0	∅2.0
(3)	∅46 1.8	∅1.8
(4)	1	∅0.04
(5)	12	0.5
(6)	16	0.6
(7)	∅15	∅0.6
(8)	∅25	∅1.0
(9)	4.5	0.2
(10)	∅3.2	∅0.1
(11)	3 X 120°	
(12)	3 x ∅3.2	3 x ∅0.13