

## AT103 AXIAL TORSION FORCE & TORQUE TRANSDUCER (U.S. & METRIC)

### FEATURES & BENEFITS

- Capacities: Force kN(lbf) / Torque Nm(lbf-in) – 10 (2.25K) / 10 (88.5), 20 (4.5K) / 20 (177)
- Compact design
- Bottom cable exit

### SPECIFICATIONS

ACCURACY – (MAX ERROR)		
Nonlinearity – Torque %FS		± 0.2
Hysteresis – Torque %FS		± 0.2
Nonrepeatability – %RO		± 0.08
Crosstalk – %FS		< 1
Creep, in 30 min – %		± 0.1
TEMPERATURE		
Effect on Zero – %RO / deg	°C	± 0.02
Effect on Output – % / deg	°C	± 0.02
Compensated Range	°C	0 to +100
	°F	+32 to +212
Operating Range	°C	-30 to +120
	°F	-22 to +248
ELECTRICAL		
Output – mV/V ± %		1 ± 0.5
Excitation Voltage – VDC		2-12
Bridge Resistance – Ohm		350
Electrical Connection	m	2 cables (3 each)
	ft	2 cables (9.8 each)
MECHANICAL		
Safe Overload – %RO		150
IP Rating		IP40
Material		Alloy steel

### STANDARD CONFIGURATION

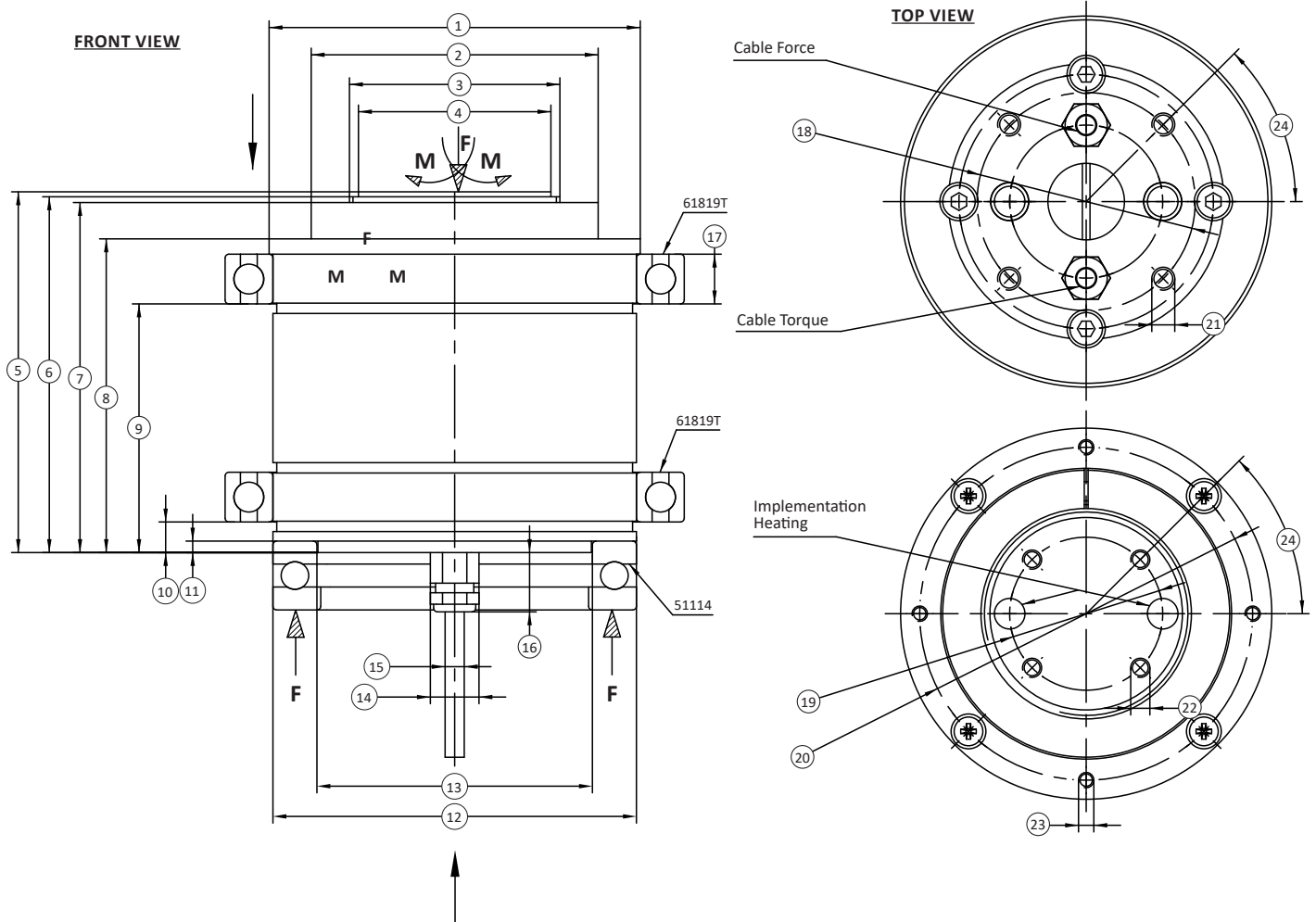


Model AT103 (Shown)

U.S. dimensions and capacities are provided for conversion only. Standard products have International System of Units (SI) capacities and dimensions.

## AT103 AXIAL TORSION FORCE & TORQUE TRANSDUCER (U.S. & METRIC)

### DIMENSIONS



## AT103 AXIAL TORSION FORCE & TORQUE TRANSDUCER (U.S. & METRIC)

### DIMENSIONS (CONTINUED)

See Drawing	Metric (kN/Nm)	U.S. (lbf/lbf-in)
	10/10	2.25K/88.5
	mm	in
(1)	$\varnothing 97^{+0.2}$	$\varnothing 3.8^{+0.008}$
(2)	$\varnothing 75^{-0.1}$	$\varnothing 3.0^{-0.004}$
(3)	$\varnothing 55$	$\varnothing 2.2$
(4)	$\varnothing 50^{0.1}$	$\varnothing 2.0^{0.004}$
(5)	94	3.7
(6)	93	3.7
(7)	91.5	3.60
(8)	82	3.23
(9)	65	2.6
(10)	8	0.3
(11)	3	0.1
(12)	$\varnothing 95 \text{ g}6$	$\varnothing (3.7197/3.7388)$
(13)	$\varnothing 72^{-0.1}$	$\varnothing 2.8$
(14)	$\varnothing 13$	$\varnothing 0.5$
(15)	$\varnothing 5.1$	$\varnothing 0.2$
(16)	16	0.6
(17)	13	0.5
(18)	TK $\varnothing 57^{0.1}$	TK $\varnothing 2.2^{0.004}$
(19)	TK $\varnothing 40^{0.1}$	TK $\varnothing 1.6^{0.004}$
(20)	TK $\varnothing 87^{0.1}$	TK $\varnothing 3.4^{0.004}$
(21)		M6
(22)		M5
(23)		M4
(24)		45°