

## WMCF MINIATURE SEALED STAINLESS STEEL LOAD CELL (U.S. & METRIC)

### FEATURES & BENEFITS

- Female threads
- Proprietary Interface temperature compensated strain gages
- Tension and compression
- Small size
- Environmentally sealed

### SPECIFICATIONS

ACCURACY – (MAX ERROR)		
Nonlinearity – %FS		±0.15
Hysteresis – %FS		±0.15
Nonrepeatability – %RO		±0.05
Creep, in 20 min – %		±0.05
TEMPERATURE		
Compensated Range	°F	+15 to +115
	°C	-10 to +45
Operating Range	°F	-65 to +250
	°C	-54 to +121
Effect on Output – % / deg	°F	±0.002
Effect on Zero – %RO / deg	°F	±0.005
ELECTRICAL		
Rated Output – mV/V (Nominal)		2.0
Zero Balance – %RO		±2.0
Bridge Resistance – Ohm (Nominal)		350
Excitation Voltage – VDC MAX		12.0
Insulation Resistance – Megohm		> 5000
MECHANICAL		
Calibration		T & C
Deflection @ RO	5 (lbf)	0.0012
	22 (N)	0.030
	10 (lbf)	0.0010
	45 (N)	0.025
Safe Overload – %CAP		150
Weight	lbs	0.04
	g	18.14
Material		Stainless steel

### STANDARD CONFIGURATION



Model WMCF-10 (Shown)

### OPTIONS

- Cable length
- Special calibration
- Standardized output
- Special temperature range
- Custom calibration
- Add connector to cable
- Submersible
- Transducer Electronic Data Sheet (TEDS)

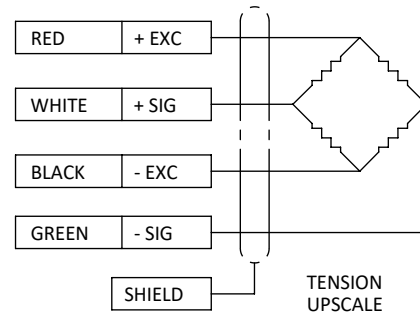
### ACCESSORIES

- Instrumentation

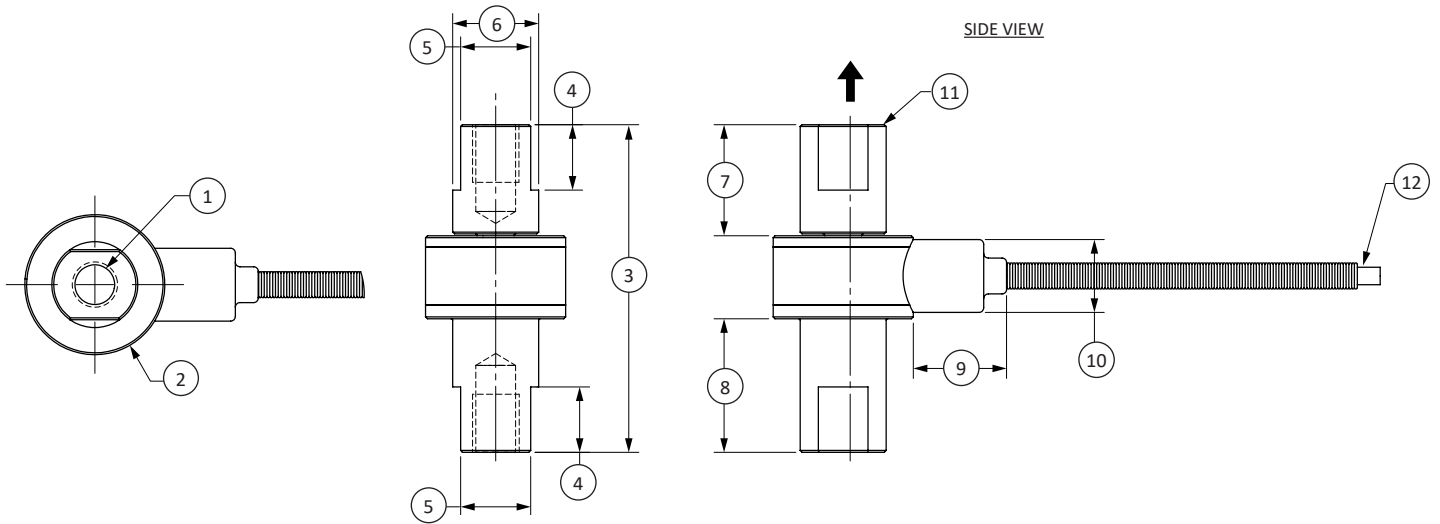
### CONNECTOR OPTIONS

- 5 ft (1.5 m) integral cable

### ELECTRICAL



## WMCF MINIATURE SEALED STAINLESS STEEL LOAD CELL (U.S. & METRIC)



### DIMENSIONS

See Drawing	CAPACITY	
	U.S. (lbf)	Metric (N)
	5 - 10	22 - 45
	in	mm
(1)	0.250-28 UNF 0.32 8.2 (BOTH ENDS)	0.250-28 UNF 8.2 (BOTH ENDS)
(2)	Ø0.75	Ø19.1
(3)	1.75	44.6
(4)	0.35	8.9
(5)	0.38	9.5
(6)	2X Ø0.46	2X Ø11.7
(7)	0.60	15.1
(8)	0.72	18.2
(9)	0.50	12.7
(10)	Ø0.39	Ø9.9
(11)	ACTIVE END	
(12)	0.094 OD 4 CONDUCTOR 30 GAGE SHIELDED CABLE (TEFLON) - 5 FT	2.4 OD 4 CONDUCTOR 30 GAGE SHIELDED CABLE (TEFLON) - 1.5 M