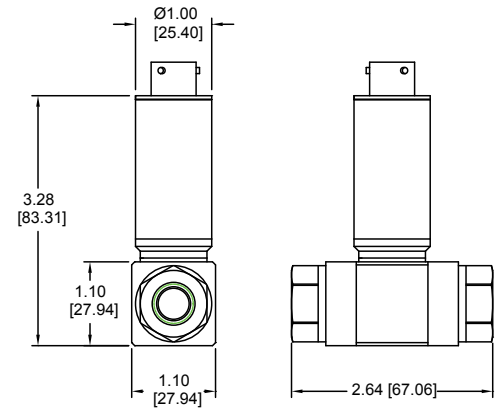


## MODEL 136 / 226 / 336 COMPACT, HIGH-ACCURACY DIFFERENTIAL PRESSURE TRANSDUCER



### STANDARD WIRING

PIN	MODEL 136	MODEL 236	MODEL 336
A/1	+EXC	+EXC	+EXC/SIG
B/2	+SIG	+SIG	N/C
C/3	-SIG	N/C	N/C
D/4	-EXC	-EXC/SIG	-EXC/SIG
E/5	N/C	N/C	N/C
F/6	N/C	N/C	N/C



**REF DIMENSIONS ONLY.  
CONSULT FACTORY FOR ACTUAL DIMENSIONS.**

### PRODUCT OVERVIEW:

The Model 136/236/336 from GP:50 is a family of highly accurate, digitally compensated differential pressure transducers. Model 136/236/336 measures differential pressure ranges as low as 20" WCD and line pressures up to 1000 PSID (69 BAR) in a compact size. Customers may also choose from among multiple accuracy, digital output, process and electrical connections. Please consult the factory for details.

### FEATURES:

- Compact design
- Up to  $\pm 0.05\%$  FSO accuracy
- 1 PSID thru 500 PSID (0.1 thru 35 BAR D)
- Line pressure up to 1000 PSI (69 BAR)
- All-welded 316L stainless steel wetted parts
- High shock and vibration resistance
- Fast response time

### APPLICATIONS:

- Liquefied natural gas (LNG) transport and storage
- Automotive test stands
- Aircraft engine test stands
- Flow measurements
- Filtration
- Tank level
- Leak testing

### FIELD OPTIONS:

- Temperature outputs available
- Accuracy options to  $\pm 0.05\%$  FSO
- Digital output options; CAN Bus, USB, RS-485 & RS-232
- Comprehensive selection of process and electrical connections

# GP:50 MODEL 136 / 236 / 336

## REFERENCE SPECIFICATIONS

(Standard configurations shown, consult factory for other options)

ELECTRICAL	
Output Signal:	(Model 136) Varies by range and accuracy: 3 mV/V (Optional 5 to 10 mV/V) (Model 236) 0 to 5 Vdc, 0 to 10 Vdc option (Model 336) 4-20 mA
Excitation Voltage:	(Model 136) 5.0 to 15 Vdc (Model 236, 336) 9.0 to 32 Vdc
Bridge Resistance:	5,000 $\Omega$ Typ
Connection:	PTIH-10-6P (consult factory for other options)
Circuit Protection:	(Model 236/336): RFI, EMI & Reverse polarity protected
Response Time:	2 ms typical

MATERIALS OF CONSTRUCTION	
Wetted Parts:	316L Stainless Steel
Housing:	300 Series Stainless Steel
Internal Fill:	Silicone Oil (Fomblin Oil available)

ACCURACY (BFSL): Hysteresis, Non-Linearity & Repeatability @ +70 °F	
Standard:	$\pm 0.25\%$ FSO
Improved:	$\pm 0.10\%$ , $0.05\%$ FSO
Zero & Span Balance:	$< \pm 0.5\%$ FSO

MECHANICAL	
Process Connection:	1/4" NPT (F) (consult factory for other options)
Proof Pressure:	2X FSO
Burst Pressure:	5X FSO
Static Line Pressure:	1000 PSI (69 BAR)
Zero Shift with Line Pressure:	$< \pm 1.0\%$ FSO/500 PSI
Orientation Shift (90°):	$< 1\%$ FSO
Approximate weight:	8 Oz (254 gm) some options may affect weight

PRESSURE RANGES	
1 PSID thru 500 PSID (0.1 thru 35 BAR D) (Other ranges available)	

THERMAL SPECIFICATIONS	
Operating Range:	-40 °F to +250 °F (-40 °C to +121 °C)
Compensated Range:	0 °F to +185 °F (-17.7 °C to +77 °C)
Storage Ambient:	-50 °F to +260 °F (-46 °C to +127 °C)
Effect on Zero/Span:	(Model 136) $\pm 1.0\%$ FSO/100 °F (Models 236/336) Standard: $\pm 0.50\%$ FSO/100 °F Improved: $\pm 0.25\%$ FSO/100 °F
Improved or expanded temperature compensation available	

