

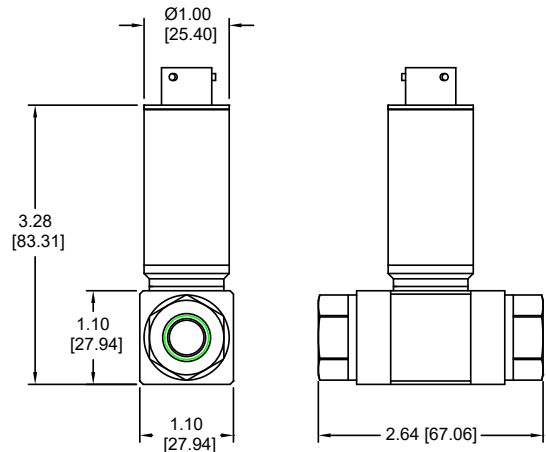
MODEL 536

CAN BUS COMPACT, HIGH-ACCURACY DIFFERENTIAL PRESSURE TRANSDUCER



STANDARD WIRING

PIN	MODEL 536
A/1	+EXC
B/2	-EXC
C/3	CASE GND
D/4	CANBUS HI
E/5	CANBUS LOW
F/6	N/C



Standard configurations shown. Please consult factory for other options.

PRODUCT OVERVIEW:

Model 536 CAN Bus from GP:50 is a compact, high-accuracy, digital output differential pressure transducer. This Model measures differential pressure ranges as low as 0-20" WCD (50 mbar) and line pressures up to 1000 PSID (69 BAR) in a compact size with improved thermal performance to meet the demands of the automotive, medical and laboratory test markets. The CAN Open protocol allows for multiple devices on a single bus, reducing installation time and cost.

FEATURES:

- Compact design
- Up to ±0.05% FSO accuracy
- 1 PSID thru 500 PSID (0.1 thru 35 BAR D)
- Line pressure up to 1000 PSI (69 BAR)
- All-welded 316L stainless steel wetted parts
- High shock and vibration resistance

APPLICATIONS:

- Liquefied natural gas (LNG) transport and storage
- Automotive test stands
- Aircraft engine test stands
- Flow measurements
- Filtration
- Tank level
- Leak testing

FIELD OPTIONS:

- Field adjustable
- Adjustable message addresses, bit rate and custom streaming
- Optional extended CAN 2.0B 29-bit CAN identifiers
- Digital output options: USB & RS-485

GP:50 MODEL 536

REFERENCE SPECIFICATIONS

(Standard configurations shown, consult factory for other options)

ELECTRICAL	
Output Signal:	CAN Bus or CAN Open
Excitation Voltage:	Standard: 10-32 Vdc Optional Expanded: 4.5 to 32 Vdc
Circuit Protection:	RFI, EMI & Reverse polarity protected
Standard Resolution:	16 bit standard, 18-bit improved
CAN Protocol:	11-bit CAN identifiers (Optional Extended CAN 2.0B 29-bit CAN identifiers)
Response Time:	Adjustable

MATERIALS OF CONSTRUCTION	
Wetted Parts:	316L SST
Housing:	300 Series SS
Internal Fill:	Silicone oil fill (Fomblin oil available, consult factory)

ACCURACY (BFSL): Hysteresis, Non-Linearity & Repeatability @ +70 °F	
Standard:	±0.25% FSO
Improved:	±0.10% FSO or ±0.05% FSO
Zero & Span Balance:	±0.2% FSO @ 70 °F

MECHANICAL	
Process Connection:	¼" NPT (F) standard (options available)
Electrical Connection:	PTIH-10-6P
Proof Pressure:	2X FSO
Burst Pressure:	5X FSO
Line Pressure:	1000 PSI (69 BAR)
Approximate weight:	< 1.5 lbs (0.07 kg) some options may affect weight
Orientation Effect ≤2 PSI:	±3.5% FSO, Rotated 90° from Horizontal
Optional Variations:	Alternate connectors and pressure ports

PRESSURE RANGES	
1 PSID thru 500 PSID (0.1 thru 35 BAR D) (Other ranges available)	

THERMAL SPECIFICATIONS	
Operating Range:	-40 °F to +250 °F (-40 °C to +121 °C)
Compensated Range:	0 °F to +180 °F (-17.7 °C to +82 °C)
Storage Ambient:	-65 °F to +250 °F (-53 °C to +121 °C)
Effect on Zero/Span:	±1.0% FSO/100 °F
Improved or expanded temperature compensation available	

