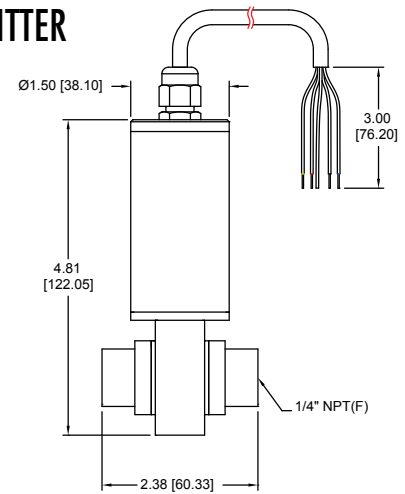


**MODEL 115 / 215 / 315**  
**HIGH RANGE DIFFERENTIAL PRESSURE TRANSMITTER**



**STANDARD WIRING**

WIRE	MODEL 115	MODEL 215	MODEL 315
1/RED	+EXC	+EXC	+EXC/SIG
2/GRN	+SIG	+SIG	N/C
3/WHT	-SIG	N/C	N/C
4/BLK	-EXC	-EXC/SIG	-EXC/SIG
5/BLU	+SHUNT (OPT)	+SHUNT (OPT)	+SHUNT (OPT)
6/BRN	-SHUNT (OPT)	-SHUNT (OPT)	-SHUNT (OPT)
SHIELD	OPEN	OPEN	OPEN



**REF DIMENSIONS ONLY.  
CONSULT FACTORY FOR ACTUAL DIMENSIONS.**

**PRODUCT OVERVIEW:**

The Model 115/215/315 from GP:50 is a family of compact, high-range differential pressure transducers. Series units are offered in ranges as low as 0 to 30 PSID (0 to 2 BAR D), with a line pressure range to 10K PSI (690 BAR). Their all-welded, corrosion-resistant, 316L stainless steel construction is without seals or o-rings, helping to ensure their continued reliability within demanding environments. Optional FM, CSA, ATEX intrinsic safety approvals are also available.

**FEATURES:**

- Ranges from 30 PSID (2 BAR D) to 7,500 PSID (517 BAR D)
- Line pressure to 10K PSI (690 BAR)
- Rugged, all welded, 316L construction
- No seals or o-rings
- Compact size
- Bi-directional operation
- Optional FM & CSA Explosion-proof approval
- Optional FM, CSA or ATEX Intrinsically safe approval

**APPLICATIONS:**

- Pump and compressor skids
- Hydraulic test stands
- Drilling Rig top drive controls

**FIELD OPTIONS:**

- mV/V, Vdc and 4-20 mA output
- Zero & span adjustments
- Alternate process and electrical connections
- Bi-directional operation
- Line pressure to 10K PSI (690 BAR)

# GP:50 MODEL 115 / 215 / 315

## REFERENCE SPECIFICATIONS

ELECTRICAL	
Output Signal:	(Model 115) 3 mV/V Amplified Output (Model 215) 0 to 5 Vdc (alternate outputs available) (Model 315) 4-20 mA
Excitation Voltage:	(Model 115) 3.5 to 15 Vdc excitation (Model 215) 9.0 to 40 Vdc excitation 0 to 10 Vdc output requires 13 to 40 Vdc excitation (Model 315/315Z) 9 to 32 Vdc excitation
Bridge Resistance:	
Connection:	36" long PVC Jacketed, 24 AWG, 4 conductor cable with shield
Circuit Protection:	(Model 215/315): RFI, EMI & Reverse polarity protected
Response Time:	<4 ms
Input Impedance:	(Model 115) 5K $\Omega$ nominal

MATERIALS OF CONSTRUCTION	
Wetted Parts:	316 Stainless Steel (options available, consult factory)
Housing:	316 Stainless Steel
Internal Fill:	Silicone (Options available)

ACCURACY (BFSL): Hysteresis, Non-Linearity & Repeatability @ +70 °F	
Standard:	$\pm 0.5\%$ FSO
Improved:	$\pm 0.2\%$ FSO or $\pm 0.1\%$ FSO
Zero & Span Balance:	$\pm 2.0\%$ FSO @ 70 °F (Optional Zero & Span Adjust)

MECHANICAL	
Process Connection:	1/4" NPT (F)
Proof Pressure:	30-500 PSI 5X FSO or 3K PSI (207 BAR) 750-7,500 10X FSO or 10K PSI (689 BAR) whichever is less
Burst Pressure:	15X FSO or 4K PSI (276 BAR) whichever is less, 10.5K PSI (724 BAR) optional
Static Line Pressure:	2000 PSI (10,000 PSI optional)
Zero Shift with Line Pressure:	$< \pm 1.0\%$ FSO/1K PSID
Approximate Weight:	<1.5 lbs (0.07 kg) some options may affect weight

PRESSURE RANGES	
30 PSID (2 BAR D) to 7,500 PSID (517 BAR D)	

THERMAL SPECIFICATIONS	
Operating Range:	10 °F to +190 °F (-12 °C to + 88 °C)
Compensated Range:	+70 °F to +180 °F (+21 °C to +82 °C)
Storage Ambient:	-65 °F to +250 °F (-53 °C to +121 °C)
Effect on Zero/Span:	$\pm 2.0\%$ FSO/100 °F
Improved or expanded temperature compensation available	

