

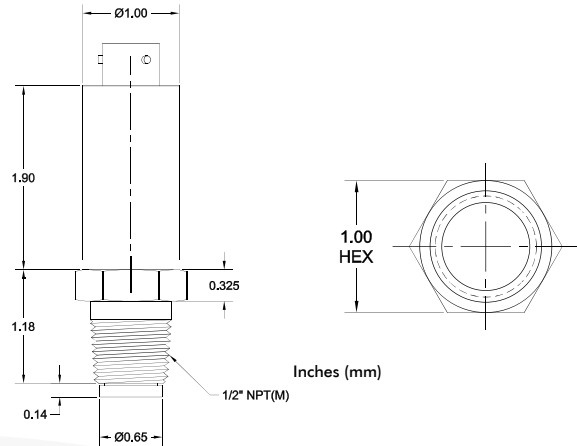
MODEL 340-IM

FLUSH MOUNT PRESSURE TRANSDUCER



WIRING CONFIGURATION

PIN	DESCRIPTION
A	+EXC/SIG
B	-EXC/SIG
C	N/C
D	N/C
E	N/C
F	CASE GND



**REF DIMENSIONS ONLY.
CONSULT FACTORY FOR ACTUAL DIMENSIONS.**

PRODUCT OVERVIEW:

The Model 40-IM series from GP:50 is a flush face mounted industrial pressure transmitter. It is expressly designed for higher viscosity media, particularly where such media can otherwise clog or damage traditional non-flush port sensor designs. The rugged, all-welded, Inconel design of the 40-IM series allows for greater compatibility with corrosive media. No zero offset is caused during sensor installation.

FEATURES:

- Flush faced sensor minimizes media plugging and damage
- Compact 1" diameter
- Rugged, all-welded stainless steel design
- No zero offset from installation
- 5X proof pressure

APPLICATIONS:

- Rig safety systems
- Well head control
- Gas pipeline
- Control panels
- On-board transmission & engine monitoring

OPTIONS:

- ATEX & IEC Hazardous Approvals* (FM & CSA Pending)
- Direct NPT or flanged process mounting
- Select electrical connectors
- 0-5Vdc output

*For details of available approvals go to:
<https://www.gp50.com/certifications>

GP:50 MODEL 340-IM

REFERENCE SPECIFICATIONS

(Standard configurations shown, consult factory for other options)

ELECTRICAL	
Output Signal:	4-20 mA
Excitation Voltage:	9.0 to 40 Vdc
Load Impedance:	1,350 Ω max. at 36 Vdc and 750 Ω max. Vdc
Insulation Resistance:	> 10 M Ω @ 50 Vdc and +70 °F
Circuit Protection:	RFI, EMI and reverse polarity
Response Time:	<5 ms 10% to 90%

MATERIALS OF CONSTRUCTION	
Wetted Parts:	Inconel 718
Housing:	316 Stainless Steel

ACCURACY (BFSL): Hysteresis, non-Linearity & Repeatability @ +70 °F	
Standard:	$\pm 0.5\%$
Improved:	$\pm 0.2\%$
Zero & Span Balance:	$\pm 2.0\%$ FSO at +70 °F

MECHANICAL	
Process Connection:	1/2" NPT (M)
Electrical Connection:	1/2" NPT (M) conduit with 36" cable leads or 6-pin connector (PTIH-10-6P)
Proof Pressure:	2X FSO or 2K PSI (138 BAR), whichever is less (Optional 5X)
Burst Pressure:	5X FSO 3.5K PSI (242 BAR), whichever is less
Environmental:	Designed to meet IP67 (Some options may affect this. Consult factory if critical.)
Approximate Weight:	<0.5lb (225g)

PRESSURE RANGES	
0 to 75 thru 0 to 750 PSI (5 thru 52 BAR) Gauge, Sealed Gauge, Absolute	

THERMAL SPECIFICATIONS	
Operating Range:	-50 °F to +250 °F (-46 °C to +121 °C)
Compensated Range:	0 °F to +180 °F (-17.8 °C to +82 °C)
Storage Ambient:	-65 °F to +250 °F (-53 °C to +121 °C)
Effect on Zero/Span:	$\pm 2.0\%$ FSO/100 °F

GP:50

FLUSH DIAPHRAGM

