

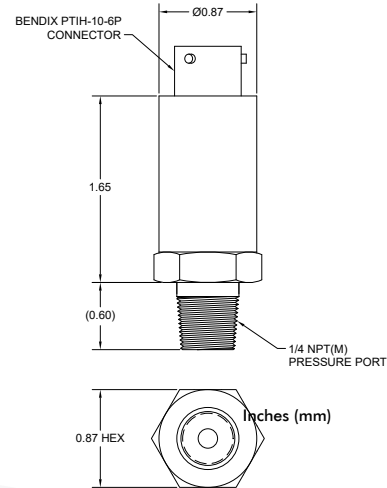


MODEL 1002/1003-CA LOW-COST OEM PRESSURE TRANSDUCER



STANDARD WIRING

PIN	MODEL 1002	MODEL 1003
A	+EXC	+EXC/SIG
B	+SIG	N/C
C	N/C	N/C
D	-EXC/SIG	-EXC/SIG
E	N/C*	N/C*
F	N/C*	N/C*



**REF DIMENSIONS ONLY.
CONSULT FACTORY FOR ACTUAL DIMENSIONS.**

PRODUCT OVERVIEW:

The Model 1002/1003-CA from GP:50 is a family of lower cost, industrial grade OEM pressure transducers, featuring corrosion-resistant, all stainless steel wetted parts and housings. Series transducers are ideal for higher volume pressure monitoring applications, particularly where lower costs are required, yet where the need for precision measurement accuracy remains. Units are available with choice of 4-20 mA, 0 to 5 Vdc or 0 to 10 Vdc output, as well as various electrical connection and pressure port options. Typical applications for the Model 1002/1003-CA include off-road vehicle, HVAC/R, hydraulic and pneumatic control systems, pumps and compressors, and industrial engine pressure monitoring.

FEATURES:

- Available ranges from 0 to 15 PSI thru 0 to 10K PSI (1,034 mBAR to 689 BAR)
- Choice of mV/V, Vdc & 4-20 mA output
- Rugged, welded, stainless steel construction
- High proof pressure
- Economically priced

APPLICATIONS:

- Automotive
- Industrial OEM
- On-board vehicle
- Compressor controls
- Pneumatic/hydraulic controls
- Pump controls

OPTIONS:

- Vdc & 4-20 mA output
- Alternate connectors & pressure ports



GP:50 MODEL 1002/1003-CA

REFERENCE SPECIFICATIONS

(Standard configurations shown, consult factory for other options)

ELECTRICAL	
Output Signal:	(1002) 0 to 5 Vdc, 0 to 10 Vdc optional (1003) 4-20 mA
Excitation Voltage:	9 to 36 Vdc
Load Resistance:	3.5 mA nominal 6 mA max.
Response Time:	<5 ms

MATERIALS OF CONSTRUCTION	
Wetted Parts:	316 SST and 17-4 PH SST
Housing:	316 SST

ACCURACY (BFSL): Hysteresis, Non-Linearity & Repeatability @ +70 °F	
Standard:	±0.5% FSO
Improved:	±0.2% FSO or ±0.1% FSO
Zero & Span Balance:	±1% FSO at + 70 °F for each

MECHANICAL	
Process Connection:	¼" NPT (M) standard (options available)
Electrical Connection:	PTIH-10-6P Bendix connector
Proof Pressure:	1.5X FSO
Burst Pressure:	3X FSO or 17,500 PSIG (1,207 BAR), whichever is less
Approximate Weight:	<4 oz. (113 g)

PRESSURE RANGES	
0 to 15 thru 0 to 10K PSI (1,034 mBAR thru 689 BAR), gauge, vacuum, and absolute pressure reference available	

THERMAL SPECIFICATIONS	
Operating Temperature:	-40 °F to +180 °F (-40 °C to +82 °C)
Compensated:	0 °F to +180 °F (-17.7 °C to +82 °C)
Storage:	-40 °F to +250 °F (-40 °C to +121 °C)
Effect on Zero/Span:	<±2.0% FSO/100 °F

APPROVALS	
CE EN 50 081-1	

