

### Scanner cable selection guide

To

		Chell Interfaces		Custom interfaces or Ethernet switch	
From		microDAQ-INT-4	microDAQ-INT-1/2/8	RJ45 Only	RJ45 plus CAN and Trigger
Scanners	nanoDAQ-LTS	MD3-CAB-X <sup>[1]</sup>	nanoDAQ-CAB-X <sup>[2]</sup>		nanoDAQ-CAB-RJ-X <sup>[3]</sup>
	MD3				
	MD3-16				
	CANdaq5				
	nanoDAQ-LTR	LTR-CAB-X <sup>[4]</sup>	nanoDAQ-LTR-CAB-X <sup>[5]</sup>		nanoDAQ-LTR-CAB-RJ-X <sup>[6]</sup>
	microDAQ-QD-VP	MD3-CAB-AS-X <sup>[7]</sup>	microDAQ-CAB-X <sup>[8]</sup>		microDAQ-CAB-RJ-X <sup>[9]</sup>
	microDAQ2				
	2416	24N-4-CAB-X <sup>[11]</sup>	24N-CAB-X <sup>[12]</sup>	24N-P-CAB-RJ-X <sup>[13]</sup>	24N-CAB-RJ-X <sup>[14]</sup>
	2432				
	2432T				
	2422				
	flightDAQ2				
flightDAQ2/3	24T-4-CAB-X <sup>[15]</sup>	24T-CAB-X <sup>[16]</sup>	24T-P-CAB-RJ-X <sup>[17]</sup>	24T-CAB-RJ-X <sup>[18]</sup>	
microDAQ-INT-4			nanoDAQ-P-CAB-X-RJ <sup>[10]</sup>	nanoDAQ-CAB-RJ-X <sup>[3]</sup>	
flightDAQ-TL			1m = 410128 2m = 410127 25m = 680169		
Q-DAQ					

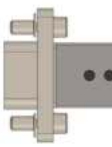
### Scanner cable material selection guide

Cable Types	Type	Material	Colour	Temp range	Diameter
CAB (Standard for cables 1 to 10)	U/FTP	PVC	Grey	-20°C to +70°C	5.6mm
CAB (Standard for cables 11 to 18)*	S/FTP	PVC	Yellow	-20°C to +80°C	6.7mm
CAR (Oil and chem resistant)	S/FTP	PUR	Yellow	-40°C to +80°C	6.7mm
CAT (High Temp, oil and chem resistant)	S/FTP	FEP	Green	-55°C to +180°C	5.7mm
CAF (Highly flexible robotic cable)	S/UTP	PUR	Green	-20°C to +50°C	6.3mm

\*Flame and UV resistant

## [1] MD3-CAB-X

<b>Connects from</b>	nanoDAQ LTS, microDAQ3, CANdaq5
Connector	MWDM2L-9PS
Gender	Pins
Jack screw	510184



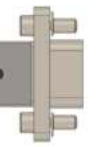
**Part Number:** MD3-CAB-X-R

**Material**

- CAB = Standard
- CAR = Oil and chem resistant
- CAT = High temperature
- CAF = High flexibility

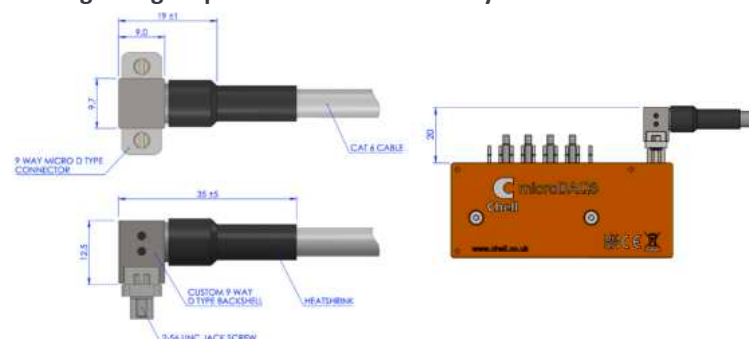
**Length (m)**  
Min = 0.25  
Max = 25m

<b>Connects to</b>	microDAQ-INT-4
Connector	MWDM2L-9SS
Gender	Sockets
Jack screw	510184



Pin	Description
1	0v
2	Ethernet Rx+
3	CAN low
4	Ethernet Tx+
5	+Supply (DC)
6	Trigger (TTL)
7	Ethernet Rx-
8	Ethernet Tx-
9	CAN high

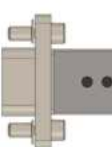
**-R : Right-angle option for scanner end only**



Pin	Description
1	0v
2	Ethernet Rx+
3	CAN low
4	Ethernet Tx+
5	+Supply (DC)
6	Trigger (TTL)
7	Ethernet Rx-
8	Ethernet Tx-
9	CAN high

## [2] nanoDAQ-CAB-X

<b>Connects from</b>	nanoDAQ LTS, microDAQ3, CANdaq5
Connector	MWDM2L-9PS
Gender	Pins
Jack screw	510184




**Part Number:** nanoDAQ-CAB-X-R

**Material**

- CAB = Standard
- CAR = Oil and chem resistant
- CAT = High temperature
- CAF = High flexibility

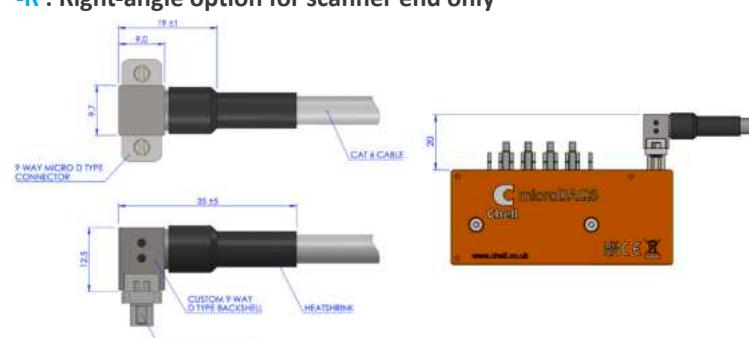
**Length (m)**  
Min = 0.25  
Max = 25m

<b>Connects to</b>	microDAQ-INT, INT-2 and INT-8
Connector	DEUTSCH ASD606- 09SN-HE
Gender	Sockets



Pin	Description
1	0v
2	Ethernet Rx+
3	CAN low
4	Ethernet Tx+
5	+Supply (DC)
6	Trigger (TTL)
7	Ethernet Rx-
8	Ethernet Tx-
9	CAN high


**-R : Right-angle option for scanner end only**



Pin	Description
1	Ethernet Tx+
2	Ethernet Rx+
3	Trigger (TTL)
4	+Supply (DC)
5	0V
6	CAN high
7	CAN low
8	Ethernet Tx-
9	Ethernet Rx-

### [3] nanoDAQ-CAB-RJ-X

<b>Connects from</b>	nanoDAQ LTS, microDAQ3, CANdaq5
Connector	MWDM2L-9PS
Gender	Pins
Jack screw	510184

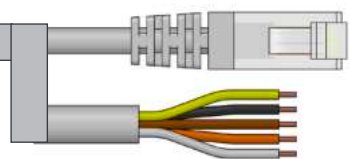


**Part Number:** nanoDAQ-CAB-RJ-X-R

**Material**  
 CAB = Standard  
 CAR = Oil and chem resistant  
 CAT = High temperature  
 CAF = High flexibility

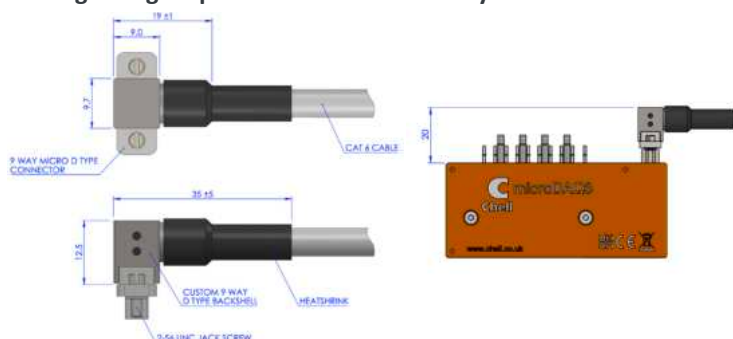
**Length (m)**  
 Min = 0.25  
 Max = 25m

<b>Connects to</b>	RJ45 plus bare ended cable
Connector	RJ45
Gender	Male



Pin	Description
1	0v
2	Ethernet Rx+
3	CAN low
4	Ethernet Tx+
5	+Supply (DC)
6	Trigger (TTL)
7	Ethernet Rx-
8	Ethernet Tx-
9	CAN high


**-R : Right-angle option for scanner end only**



Pin	Description
1	Ethernet Tx+
2	Ethernet Tx-
3	Ethernet Rx+
6	Ethernet Rx-
Yellow	+Supply (DC)
Black	Com 0V
Brown	CAN high
Orange	CAN low
Grey	Trigger

### [4] LTR-CAB-X

<b>Connects from</b>	nanoDAQ LTR (16 and 32)
Connector	Souriau 8-STA606-9SN
Gender	Sockets
Back Shell	




**Part Number:** LTR-CAB-X

**Material**  
 CAB = Standard  
 CAR = Oil and chem resistant  
 CAT = High temperature  
 CAF = High flexibility

**Length (m)**  
 Min = 0.25  
 Max = 25m

<b>Connects to</b>	microDAQ-INT-4
Connector	MWDM2L-9SS
Gender	Sockets
Jack screw	510184



Pin	Description
1	Ethernet Tx+
2	Ethernet Rx+
3	Trigger (TTL)
4	+Supply (DC)
5	0V
6	CAN high
7	CAN low
8	Ethernet Tx-
9	Ethernet Rx-

Pin	Description
1	0v
2	Ethernet Rx+
3	CAN low
4	Ethernet Tx+
5	+Supply (DC)
6	Trigger (TTL)
7	Ethernet Rx-
8	Ethernet Tx-
9	CAN high


## [5] nanoDAQ-LTR-CAB-X

**Connects from** nanoDAQ LTR (16 and 32)

Connector Souriau 8-STA606-9SN

Gender Sockets

Back Shell



**Part Number:** nanoDAQ-LTR-CAB-X

**Material**

- CAB = Standard
- CAR = Oil and chem resistant
- CAT = High temperature
- CAF = High flexibility


**Length (m)**

- Min = 0.25
- Max = 25m

**Connects to** microDAQ-INT, INT-2 and INT-8

Connector DEUTSCH ASD606-09SN-HE

Gender Sockets



Pin	Description
1	Ethernet Tx+
2	Ethernet Rx+
3	Trigger (TTL)
4	+Supply (DC)
5	0V
6	CAN high
7	CAN low
8	Ethernet Tx-
9	Ethernet Rx-

Pin	Description
1	Ethernet Tx+
2	Ethernet Rx+
3	Trigger (TTL)
4	+Supply (DC)
5	0V
6	CAN high
7	CAN low
8	Ethernet Tx-
9	Ethernet Rx-


## [6] nanoDAQ-LTR-CAB-RJ-X

**Connects from** nanoDAQ LTR (16 and 32)

Connector Souriau 8-STA606-9SN

Gender Sockets

Back Shell



**Part Number:** nanoDAQ-LTR-CAB-RJ-X

**Material**

- CAB = Standard
- CAR = Oil and chem resistant
- CAT = High temperature
- CAF = High flexibility

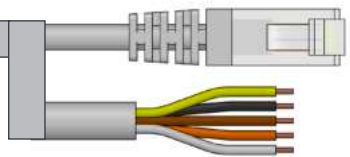
**Length (m)**

- Min = 0.25
- Max = 25m

**Connects to** RJ45 plus bare ended cable

Connector RJ45

Gender Male




Pin	Description
1	Ethernet Tx+
2	Ethernet Tx-
3	Trigger (TTL)
4	+Supply (DC)
5	0V
6	CAN high
7	CAN low
8	Ethernet Tx-
9	Ethernet Rx-

Pin	Description
1	Ethernet Tx+
2	Ethernet Tx-
3	Ethernet Rx+
6	Ethernet Rx-
Yellow	+Supply (DC)
Black	Com 0V
Brown	CAN high
Orange	CAN low
Grey	Trigger

## [7] MD3-CAB-AS-X

<b>Connects from</b>	microQD-VP / microDAQ2
Connector	DEUTSCH ASDD606-09SN-HE
Gender	Sockets



### Part Number: MD3-CAB-AS-X


**Material**

- CAB = Standard
- CAR = Oil and chem resistant
- CAT = High temperature
- CAF = High flexibility

**Length (m)**

- Min = 0.25
- Max = 25m

<b>Connects to</b>	microDAQ-INT-4
Connector	MWDM2L-9SS
Gender	Sockets
Jack screw	510184




Pin	Description
1	Ethernet Tx+
2	Ethernet Rx+
3	Trigger (TTL)
4	+Supply (DC)
5	0V
6	CAN high
7	CAN low
8	Ethernet Tx-
9	Ethernet Rx-

Pin	Description
1	0v
2	Ethernet Rx+
3	CAN low
4	Ethernet Tx+
5	+Supply (DC)
6	Trigger (TTL)
7	Ethernet Rx-
8	Ethernet Tx-
9	CAN high

## [8] microDAQ-CAB-X

<b>Connects from</b>	microQD-VP / microDAQ2
Connector	DEUTSCH ASDD606-09SN-HE
Gender	Sockets



### Part Number: microDAQ-CAB-X


**Material**

- CAB = Standard
- CAR = Oil and chem resistant
- CAT = High temperature
- CAF = High flexibility

**Length (m)**

- Min = 0.25
- Max = 25m

<b>Connects to</b>	microDAQ-INT, INT-2 and INT-8
Connector	DEUTSCH ASDD606-09SN-HE
Gender	Sockets




Pin	Description
1	Ethernet Tx+
2	Ethernet Rx+
3	Trigger (TTL)
4	+Supply (DC)
5	0V
6	CAN high
7	CAN low
8	Ethernet Tx-
9	Ethernet Rx-

Pin	Description
1	Ethernet Tx+
2	Ethernet Rx+
3	Trigger (TTL)
4	+Supply (DC)
5	0V
6	CAN high
7	CAN low
8	Ethernet Tx-
9	Ethernet Rx-

## [9] microDAQ-CAB-RJ-X

<b>Connects from</b>	microQD-VP / microDAQ2
Connector	DEUTSCH ASDD606-09SN-HE
Gender	Sockets

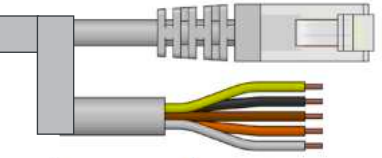


**Part Number:** nanoDAQ-CAB-RJ-X

**Material**  
 CAB = Standard  
 CAR = Oil and chem resistant  
 CAT = High temperature  
 CAF = High flexibility

**Length (m)**  
 Min = 0.25  
 Max = 25m

<b>Connects to</b>	RJ45 plus bare ended cable
Connector	RJ45
Gender	Male




Pin	Description
1	Ethernet Tx+
2	Ethernet Rx+
3	Trigger (TTL)
4	+Supply (DC)
5	0V
6	CAN high
7	CAN low
8	Ethernet Tx-
9	Ethernet Rx-

Pin	Description
1	Ethernet Tx+
2	Ethernet Tx-
3	Ethernet Rx+
6	Ethernet Rx-
Yellow	+Supply (DC)
Black	Com 0V
Brown	CAN high
Orange	CAN low
Grey	Trigger

## [10] nanoDAQ-P-CAB-RJ-X

<b>Connects from</b>	microDAQ-INT-4
Connector	MWDM2L-9PS
Gender	Pins
Jack screw	510184




**Part Number:** nanoDAQ-P-CAB-RJ-X-R

**Material**  
 CAB = Standard  
 CAR = Oil and chem resistant  
 CAT = High temperature  
 CAF = High flexibility

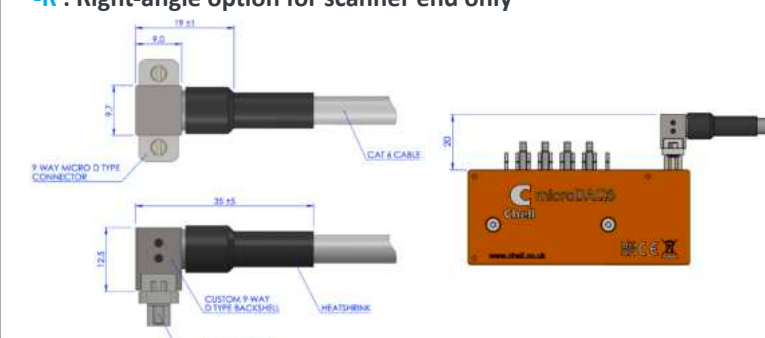
**Length (m)**  
 Min = 0.25  
 Max = 25m

<b>Connects to</b>	RJ45 only for PoE switch
Connector	RJ45
Gender	Male



Pin	Description
1	N/C
2	Ethernet Rx+
3	N/C
4	Ethernet Tx+
5	N/C
6	N/C
7	Ethernet Rx-
8	Ethernet Tx-
9	N/C


**-R : Right-angle option for scanner end only**



Pin	Description
1	Ethernet Tx+
2	Ethernet Tx-
3	Ethernet Rx+
6	Ethernet Rx-

## [11] 24N-4-CAB-X

<b>Connects from</b>	2416, 2432, 2432T, 2422, flightDAQ2
Connector	09-49-15KPT06F
Gender	Sockets




### Part Number: 24N-4-CAB-X

**Material**  
 CAB = Standard  
 CAR = Oil and chem resistant  
 CAT = High temperature  
 CAF = High flexibility

**Length (m)**  
 Min = 0.25  
 Max = 25m

<b>Connects to</b>	microDAQ-INT-4
Connector	MWDM2L-9SS
Gender	Sockets
Jack screw	510184




Pin	Description	Pin	Description
A	Ethernet BI_DB+ (Rx+)	K	N/C
B	Ethernet BI_DA+ (Tx+)	L	N/C
C	Ethernet BI_DA- (Tx-)	M	N/C
D	Trigger (TTL)	N	Ethernet BI_DB- (Rx-)
E	Trigger RTN	P	Power RTN (0v)
F	N/C	R	+ Supply (DC)
G	Chassis GND (Shield)		
H	CAN Hi (FD2 only)		
J	CAN low (FD2 only)		

Pin	Description
1	0v
2	Ethernet Rx+
3	CAN low
4	Ethernet Tx+
5	+Supply (DC)
6	Trigger (TTL)
7	Ethernet Rx-
8	Ethernet Tx-
9	CAN high

## [12] 24N-CAB-X

<b>Connects from</b>	2416, 2432, 2432T, 2422, flightDAQ2
Connector	09-49-15KPT06F
Gender	Sockets




### Part Number: 24N-CAB-X

**Material**  
 CAB = Standard  
 CAR = Oil and chem resistant  
 CAT = High temperature  
 CAF = High flexibility

**Length (m)**  
 Min = 0.25  
 Max = 25m

<b>Connects to</b>	microDAQ-INT, INT-2 and INT-8
Connector	DEUTSCH ASDD606-09SN-HE
Gender	Sockets




Pin	Description	Pin	Description
A	Ethernet BI_DB+ (Rx+)	K	N/C
B	Ethernet BI_DA+ (Tx+)	L	N/C
C	Ethernet BI_DA- (Tx-)	M	N/C
D	Trigger (TTL)	N	Ethernet BI_DB- (Rx-)
E	Trigger RTN	P	Power RTN (0v)
F	N/C	R	+ Supply (DC)
G	Chassis GND (Shield)		
H	CAN Hi (FD2 only)		
J	CAN low (FD2 only)		

Pin	Description
1	Ethernet Tx+
2	Ethernet Rx+
3	Trigger (TTL)
4	+Supply (DC)
5	0V
6	CAN high
7	CAN low
8	Ethernet Tx-
9	Ethernet Rx-

## [13] 24N-P-CAB-RJ-X

<b>Connects from</b>	2416, 2432, 2432T, 2422, flightDAQ2
Connector	09-49-15KPT06F
Gender	Sockets

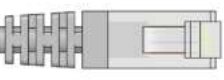


### Part Number: 24N-P-CAB-RJ-X

**Material**  
 CAB = Standard  
 CAR = Oil and chem resistant  
 CAT = High temperature  
 CAF = High flexibility

**Length (m)**  
 Min = 0.25  
 Max = 25m

<b>Connects to</b>	RJ45 only for PoE switch
Connector	RJ45
Gender	Male




Pin	Description	Pin	Description
A	Ethernet BI_DB+ (Rx+)	K	Ethernet BI_DC-
B	Ethernet BI_DA+ (Tx+)	L	Ethernet BI_DD+
C	Ethernet BI_DA- (Tx-)	M	Ethernet BI_DD-
D	N/C	N	Ethernet BI_DB- (Rx-)
E	N/C	P	N/C
F	Ethernet BI_DC+	R	N/C
G	Chassis GND (Shield)		
H	N/C		
J	N/C		

Pin	Description
1	Ethernet BI_DA+
2	Ethernet BI_DA-
3	Ethernet BI_DC+
4	Ethernet BI_DC-
5	Ethernet BI_DB+
6	Ethernet BI_DB-
7	Ethernet BI_DD+
8	Ethernet BI_DD-

## [14] 24N-CAB-RJ-X

<b>Connects from</b>	2416, 2432, 2432T, 2422, flightDAQ2
Connector	09-49-15KPT06F
Gender	Sockets

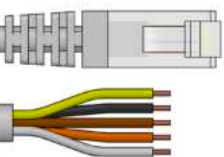


### Part Number: 24N-CAB-RJ-X

**Material**  
 CAB = Standard  
 CAR = Oil and chem resistant  
 CAT = High temperature  
 CAF = High flexibility

**Length (m)**  
 Min = 0.25  
 Max = 25m

<b>Connects to</b>	RJ45 plus bare ended cable
Connector	RJ45
Gender	Male




Pin	Description	Pin	Description
A	Ethernet BI_DB+ (Rx+)	K	Ethernet BI_DC-
B	Ethernet BI_DA+ (Tx+)	L	Ethernet BI_DD+
C	Ethernet BI_DA- (Tx-)	M	Ethernet BI_DD-
D	Trigger (TTL)	N	Ethernet BI_DB- (Rx-)
E	Trigger RTN	P	Power RTN (0v)
F	Ethernet BI_DC+	R	+ Supply (DC)
G	Chassis GND (Shield)		
H	CAN Hi (FD2 only)		
J	CAN low (FD2 only)		

Pin	Description
1	Ethernet Tx+
2	Ethernet Tx-
3	Ethernet Rx+
6	Ethernet Rx-
Yellow	+Supply (DC)
Black	Com 0V
Brown	CAN high
Orange	CAN low
Grey	Trigger



## [15] 24T-4-CAB-X

<b>Connects from</b>	2416, 2432, 2432T, 2422, flightDAQ2
<b>Connector</b>	TV06ZN-11-35SN
<b>Gender</b>	Sockets

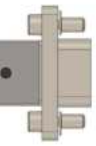


### Part Number: 24T-4-CAB-X

**Material** \_\_\_\_\_ |  
 CAB = Standard  
 CAR = Oil and chem resistant  
 CAT = High temperature  
 CAF = High flexibility

**Length (m)**  
 Min = 0.25  
 Max = 25m

<b>Connects to</b>	microDAQ-INT-4
<b>Connector</b>	MWDM2L-9SS
<b>Gender</b>	Sockets
<b>Jack screw</b>	510184




Pin	Description	Pin	Description
1	+ Supply (DC)	10	Comm
2	Power RTN (0v)	11	Trigger out (TTL)
3	Ethernet BI_DB+ (Rx+)	12	Com
4	Ethernet BI_DA+ (Tx+)	13	Trigger RTN
5	Ethernet BI_DA- (Rx-)		
6	Ethernet BI_DB- (Tx-)		
7	Trigger in (TTL)		
8	CAN Hi (FD2 only)		
9	CAN low (FD2 only)		

Pin	Description
1	0v
2	Ethernet Rx+
3	CAN low
4	Ethernet Tx+
5	+Supply (DC)
6	Trigger (TTL)
7	Ethernet Rx-
8	Ethernet Tx-
9	CAN high

## [16] 24T-CAB-X

<b>Connects from</b>	2416, 2432, 2432T, 2422, flightDAQ2
<b>Connector</b>	TV06ZN-11-35SN
<b>Gender</b>	Sockets




### Part Number: 24T-CAB-1

**Material** \_\_\_\_\_ |  
 CAB = Standard  
 CAR = Oil and chem resistant  
 CAT = High temperature  
 CAF = High flexibility

**Length (m)**  
 Min = 0.25  
 Max = 25m

<b>Connects to</b>	microDAQ-INT, INT-2 and INT-8
<b>Connector</b>	DEUTSCH ASDD606-09SN-HE
<b>Gender</b>	Sockets




Pin	Description	Pin	Description
1	+ Supply (DC)	10	Comm
2	Power RTN (0v)	11	Trigger out (TTL)
3	Ethernet BI_DB+ (Rx+)	12	Com
4	Ethernet BI_DA+ (Tx+)	13	Trigger RTN
5	Ethernet BI_DA- (Rx-)		
6	Ethernet BI_DB- (Tx-)		
7	Trigger in (TTL)		
8	CAN Hi (FD2 only)		
9	CAN low (FD2 only)		

Pin	Description
1	Ethernet Tx+
2	Ethernet Rx+
3	Trigger (TTL)
4	+Supply (DC)
5	0V
6	CAN high
7	CAN low
8	Ethernet Tx-
9	Ethernet Rx-

## [17] 24T-P-CAB-RJ-X

<b>Connects from</b>	2416, 2432, 2432T, 2422, flightDAQ2
<b>Connector</b>	TV06ZN-11-35SN
<b>Gender</b>	Sockets

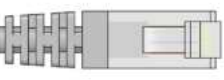


**Part Number:** 24T-P-CAB-RJ-X

**Material**  
 CAB = Standard  
 CAR = Oil and chem resistant  
 CAT = High temperature  
 CAF = High flexibility

**Length (m)**  
 Min = 0.25  
 Max = 25m

<b>Connects to</b>	RJ45 only for PoE switch
<b>Connector</b>	RJ45
<b>Gender</b>	Male




Pin	Description	Pin	Description
1	N/C	10	N/C
2	N/C	11	N/C
3	Ethernet BI_DB+ (Rx+)	12	N/C
4	Ethernet BI_DA+ (Tx+)	13	N/C
5	Ethernet BI_DA- (Rx-)		
6	Ethernet BI_DB- (Tx-)		
7	N/C		
8	N/C		
9	N/C		

Pin	Description
1	Ethernet BI_DA+
2	Ethernet BI_DA-
3	Ethernet BI_DC+
4	Ethernet BI_DC-
5	Ethernet BI_DB+
6	Ethernet BI_DB-
7	Ethernet BI_DD+
8	Ethernet BI_DD-

## [18] 24T-CAB-RJ-X

<b>Connects from</b>	2416, 2432, 2432T, 2422, flightDAQ2
<b>Connector</b>	TV06ZN-11-35SN
<b>Gender</b>	Sockets

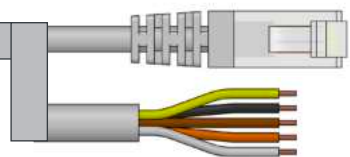


**Part Number:** 24T-CAB-RJ-X

**Material**  
 CAB = Standard  
 CAR = Oil and chem resistant  
 CAT = High temperature  
 CAF = High flexibility

**Length (m)**  
 Min = 0.25  
 Max = 25m

<b>Connects to</b>	RJ45 plus bare ended cable
<b>Connector</b>	RJ45
<b>Gender</b>	Male



Pin	Description	Pin	Description
1	+ Supply (DC)	10	Comm
2	Power RTN (0v)	11	Trigger out (TTL)
3	Ethernet BI_DB+ (Rx+)	12	Com
4	Ethernet BI_DA+ (Tx+)	13	Trigger RTN
5	Ethernet BI_DA- (Rx-)		
6	Ethernet BI_DB- (Tx-)		
7	Trigger in (TTL)		
8	CAN Hi (FD2 only)		
9	CAN low (FD2 only)		

Pin	Description
1	Ethernet Tx+
2	Ethernet Tx-
3	Ethernet Rx+
6	Ethernet Rx-
Yellow	+Supply (DC)
Black	Com 0V
Brown	CAN high
Orange	CAN low
Grey	Trigger