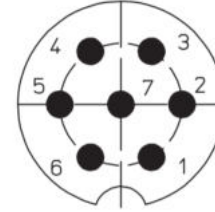
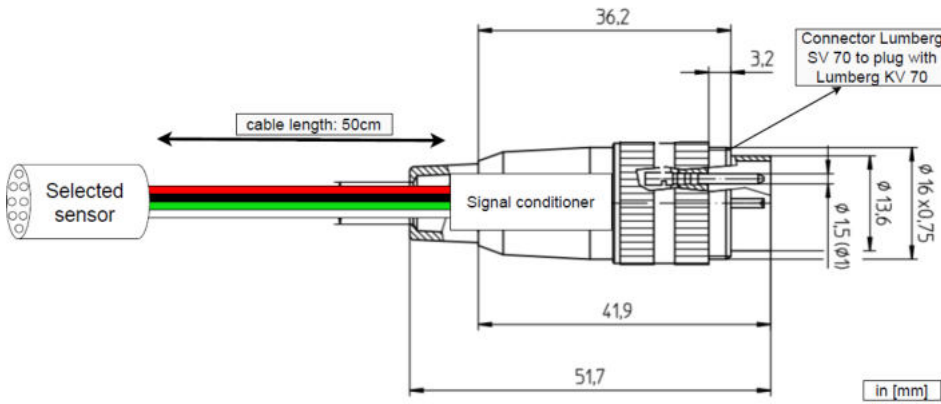


## Signal conditioner

SC\_MP\_24\_XX



Pin configuration	
Pin	Function
Casing	Shield
1	Vout+
2	GND
3	GND
4	Vin+
5	NC
6	NC
7	NC

### MODEL DEFINITION

SC: Signal conditioners  
 MP: Miniaturized pressure  
 24: Maximum input voltage in volt  
 XX: Maximum output voltage in volt (05, 10)

### OVERVIEW

- Can be used with our sensor
- Power supply up to 24V
- Output signal up to 10V

## PRODUCT SPECIFICATION

Characteristics	Electrical characteristics	
	SC_MP_24_05	SC_MP_24_10
PART Number	SC_MP_24_05	SC_MP_24_10
Supply Voltage	8-24 VDC	12-24 VDC
Output Voltage	0-5 VDC	0-10 VDC
Bandwidth	0-200 kHz	0-200 kHz
Operating temperature	85 °C	85 °C
Maximum current	5mA	5mA
Output impedance (1KHz)	200Ω	200Ω

#### Remark:

- The selected sensors are available on our [website](#).

## CONTACT

Operational Headquarter: Rue des Ormes 151, B-4800 Lambermont, BELGIUM

TEL: +32 87 70 96 69

Email: [sales@sensorade.be](mailto:sales@sensorade.be)