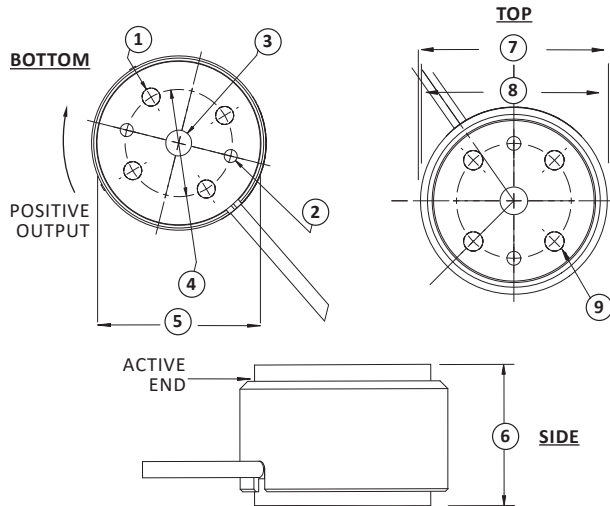


M RTP MINIATURE PROTECTED TORQUE TRANSDUCER (U.S. & METRIC)

FEATURES & BENEFITS

- Capacity 0.2 Nm (1.77 lbf-in)
- 7x overload protection
- Proprietary Interface temperature compensated strain gages
- Small size - 41 x 33 mm (1.6 in OD x 1.25 in)
- Excellent linearity & repeatability
- Low deflection - high torsional stiffness



Note:
Do not bridge overload stop and active end

DIMENSIONS

See Drawing	CAPACITY	
	Metric (Nm)	U.S. (lbf-in)
	mm	in
(1)	M5x0.8 - 6H x \downarrow 5.1	M5x0.8 - 6H x \downarrow 0.20
(2)	\varnothing 3.02 \pm 0.03	\varnothing 0.119 \pm 0.001
(3)	\varnothing 6.02 thru	\varnothing 0.237 thru
(4)	\varnothing 24.99	\varnothing 0.984
(5)	34.95	1.375
(6)	31.8	1.25
(7)	40.6	1.60
(8)	38.1	1.50
(9)	M5x0.8 - 6H x \downarrow 5.1	M5x0.8 - 6H x \downarrow 0.20

OPTIONS

- Extra cable length

STANDARD CONFIGURATION



MODEL MRTP (Shown)

SPECIFICATIONS

ACCURACY – (MAX ERROR)		
Nonlinearity – %FS		\pm 0.10
Hysteresis – %FS		\pm 0.10
Nonrepeatability – %RO		\pm 0.05
Creep, in 20 min – %		\pm 0.10
TEMPERATURE		
Compensated Range	$^{\circ}$ C	-10 to +45
	$^{\circ}$ F	+15 to +115
Operating Range	$^{\circ}$ C	-55 to +90
	$^{\circ}$ F	-65 to +200
Effect on Zero – %RO / deg	$^{\circ}$ F	\pm 0.20
Effect on Output – % / deg	$^{\circ}$ F	\pm 0.10
ELECTRICAL		
Rated Output – mV/V (Nominal)		2.00 \pm 0.30
Zero Balance – %RO		\pm 1.0
Input Resistance – Ohms		700 + 100/-7
Output Resistance – Ohms		700 \pm 7
Insulation Resistance – Megohm		> 5000
Excitation, VDC NOM		10
Excitation, VDC MAX		20
MECHANICAL		
Overload:		
Safe Torsion – %CAP		\pm 700
Safe Side Load	N	13
	lbf	3
Safe Overhung Moment – %CAP		100
Safe Mounting Torque	Nm	0.3
	lbf-in	2.7
Deflection at Capacity – Radian		0.007
Cable Length – Integral Cable	m	1.5
	ft	5

ACCESSORIES

- Instrumentation

International System of Units (SI) dimensions and capacities are provided for conversion only. Standard products have U.S. capacities and dimensions. SI capacities available upon special request and at an additional cost.