

## SGA AC/DC POWERED SIGNAL CONDITIONER (U.S. & METRIC)

### FEATURES & BENEFITS

- User selectable analog output  $\pm 10V$ ,  $\pm 5V$ , 0-10V, 0-5V, 0-20 mA, 4-20 mA
- 110 VAC, 220 VAC OR 18-24 VDC power
- Switch selectable filtering 1 Hz to 5 kHz
- Single channel powers up to 4 transducers
- Selectable full scale input range 0.06 to 30 mV/V
- Switch selectable offset  $\pm 70\%$  FS
- Sealed ABS enclosure

### SPECIFICATIONS

POWER		
AC – VAC, Hz		110, 60 or 220, 50
DC – VDC		18-24
EXCITATION		
Voltage – VDC $\pm$ %		10 $\pm$ 5
Current – mA		118
PERFORMANCE		
Output	V	$\pm 10$ , $\pm 5$ Bipolar 0-5, 0-10 Unipolar
	mA	0-20, 4-20 Unipolar or Bipolar
Input Range – mV/V		$\pm 0.06$ to $\pm 30$
Max Bandwidth – kHz		6
Filter – Hz		1 to 5K
Offset – %FS		$\pm 70$
Nonlinearity – %FS		0.03
Span Temperature Coefficient – % / °F Max		0.004
Zero Temperature Coefficient – $\mu V$ / °F Max		0.5
ENVIRONMENTAL		
Operating Temperature	°F	+32 to +122
	°C	0 to +50
Storage Temperature	°F	-4 to +158
	°C	-20 to +70
Dimensions – L x W x H	in	6.3 X 3.1 X 2.2
	mm	160 x 79 x 56
Enclosure		Sealed ABS case, Compression cable seals

### RELATED PRODUCT OPTIONS

- SGA-RSC** - SGA that can remotely activate a Shunt Calibration by closing a relay on the related RSC module
- SGA-DCI** - SGA with Isolated 12/24V power supply
- SGA-BCM** - SGA with Bridge Completion Module for both quarter and half bridges

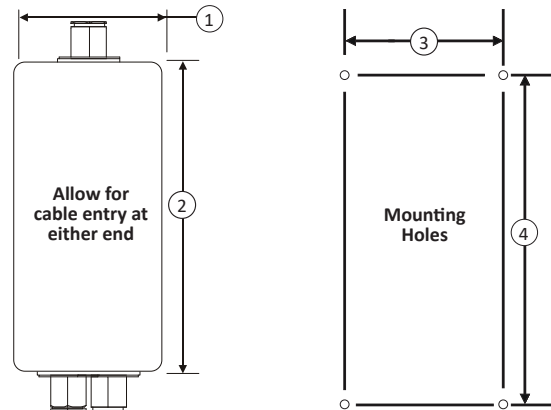
### ACCESSORIES

- AC Power Cord (PWRCRD-SGA-110)

### STANDARD CONFIGURATION



MODEL SGA (Shown)



### DIMENSIONS

1		2		3		4		Depth	
mm	in	mm	in	mm	in	mm	in	mm	in
80	3.15	160	6.30	50	1.97	148	5.83	55	2.16

### ORDERING INFORMATION

- SGA** - Amplifier with no power cord included.
- SGA-WPC** - Amplifier with Power Cord.
- SGA-RSC** - Amplifier with Remote Shunt Calibration option and no power cord.
- SGA-RSC-WPC** - Amplifier with Remote Shunt Calibration option and includes a power cord.
- SGA-DCI** - SGA-D with Isolated Power Supply option and no power cord (DC Power Only). Also allows for 9-36 VDC Supply.
- SGA-BCM** - Amplifier with Bridge Completion option and no power cord.
- SGA-BCM-WPC** - Amplifier with Bridge Completion option and includes power cord.
- SGA-DRMK** - DIN Rail Mounting Kit option for Model SGA.

*U.S. dimensions and capacities are provided for conversion only. Standard products have International System of Units (SI) capacities and dimensions.*