

T18 ROTARY TORQUE TRANSDUCER (U.S. & METRIC)

FEATURES & BENEFITS

- Capacities from 10 to 100 Nm (88.5 to 885 lbf-in)
- Keyed Shaft per DIN 6885
- ±5 VDC output
- Speed Measurement Option Available
- Contactless
- Low Cost
- Short overall length

SPECIFICATIONS

ACCURACY – (MAX ERROR)		
Combined Error – %FS		±0.25
Nonrepeatability – %FS		±0.05
TEMPERATURE		
Effect on Zero – %RO / deg	°C	±0.04
Effect on Output – % / deg	°C	±0.02
Rated Range	°C	+5 to +45
	°F	+41 to +113
Operating Range	°C	0 to +60
	°F	+32 to +140
ELECTRICAL		
Output – VDC		±5
Bandwidth – kHz – dB		1 – 3
Supply Voltage – VDC		+12 to +28
Supply Current – mA		90
Resolution		Analog
MECHANICAL		
Safe Overload – %RO		180
Max Speed – RPM		8,000
Cable Length	m	2
	ft	6.5
Shaft Material		Alloy steel
Housing Material		Aluminum



MODEL T18-10NM (Shown)

OPTIONS

- +/-10V Output
- 30-pulse Speed Measurement Option

ELECTRICAL

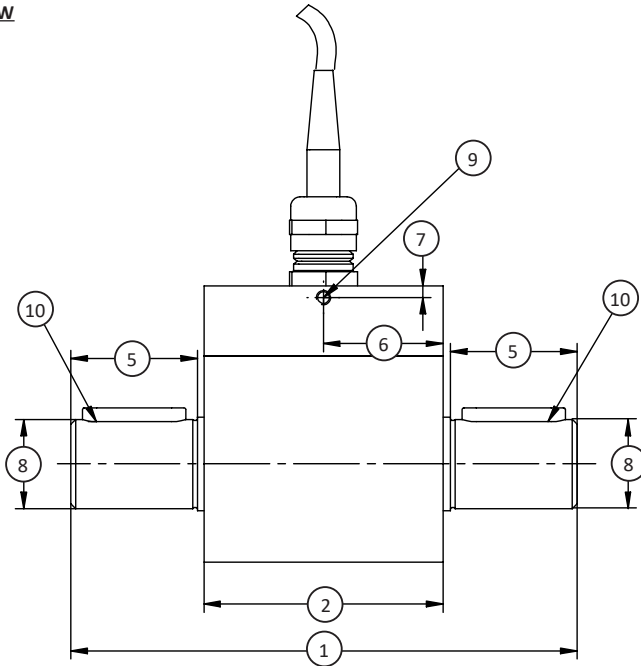
Function	Description	Color
Supply (+)	+12 to +28 VDC	Brown
Supply (GND)	0 VDC	Green
Signal (+)	±5 VDC (+10 VDC)	Yellow
Signal (GND)	0 VDC	White
Speed Control (Option)	5V TTL	Gray
Shield	Shield	Shield

PERFORMANCE PARAMETERS

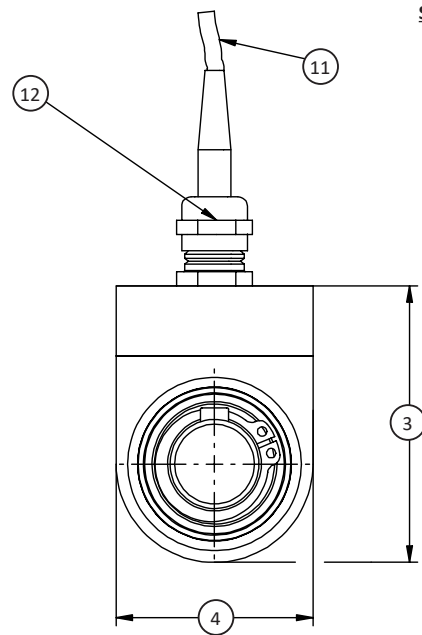
CAPACITY		MAX RPM	SPRING RATE (Nm/rad)	MOMENT OF INERTIA (Kg•m ²)		MAX THRUST LOAD	
Nm	lbf-in			Drive Side	Test Side	N	lbf
10	88.5	8,000	4,500	0.1	0.09	1,000	224.8
15	132.8	8,000	4,500	0.1	0.09	1,000	224.8
20	177	8,000	4,500	0.1	0.09	1,000	224.8
50	442.5	8,000	13,200	0.12	0.1	1,500	337.2
100	885	8,000	13,200	0.12	0.1	1,500	337.2

T18 ROTARY TORQUE TRANSDUCER (U.S. & METRIC)

FRONT VIEW



SIDE VIEW



DIMENSIONS

See Drawing	CAPACITIES	
	Metric (Nm)	U.S. (lbf-in)
	10, 15, 20, 50, 100	88.5, 132.8, 177, 442.5, 885
	mm	in
(1)	108.0	4.25
(2)	51.0	2.00
(3)	59.0	2.32
(4)	42.0	1.65
(5)	27.0	1.06
(6)	25.5	1.00
(7)	2.5	0.09
(8)	∅19 g6	∅0.7492/0.7497
(9)	M3 x 6	
(10)	Key DIN 6885 6 x 22	
(11)	Cable Length 2 m	Cable Length 6.5 ft
(12)	Threaded Cable Gland M12 x 1.5	