

T23 LC ROTARY TORQUE TRANSDUCER (U.S. & METRIC)

FEATURES & BENEFITS

- Capacities from 300 and 500 Nm (2.66K and 4.43K lbf-in)
- Stainless steel shaft
- +5 VDC output
- 12-28 VDC supply
- Contactless

SPECIFICATIONS

ACCURACY – (MAX ERROR)		
Combined Error – %FS		±0.25
Nonrepeatability – %		±0.05
TEMPERATURE		
Effect on Zero – %RO / deg	°C	±0.04
Effect on Output – % / deg	°C	±0.02
Rated Range	°C	+5 to +45
	°F	+41 to +113
Operating Range	°C	0 to +60
	°F	+32 to +140
ELECTRICAL		
Output – VDC		±5
Bandwidth – kHz – dB		1 – 3
Supply Voltage – VDC		+11 to +28
Supply Current – mA		< 90
Electrical Connection – Cable	m	1
	ft	3
MECHANICAL		
Safe Overload – %RO		180
Max Speed – rpm		3,500
Shaft Material		Stainless steel
Housing Material		Aluminum

STANDARD CONFIGURATION



Model T23 (Shown)

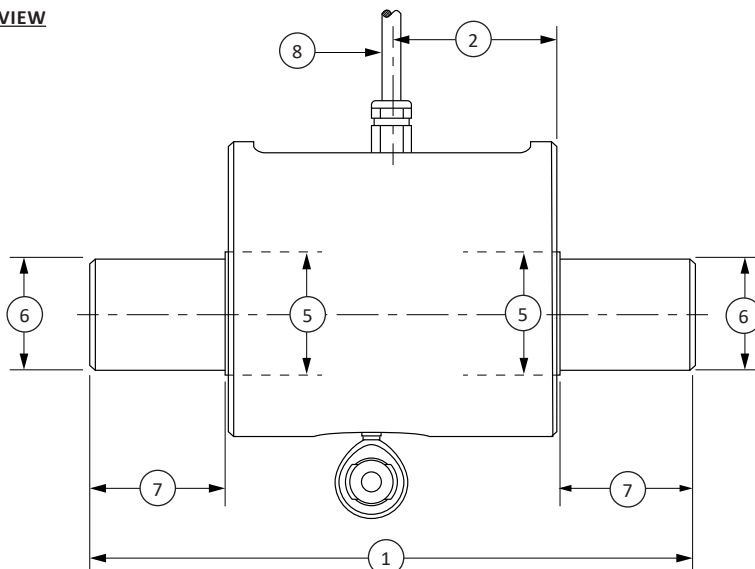
OPTIONS

- Cable length
- Speed/angle

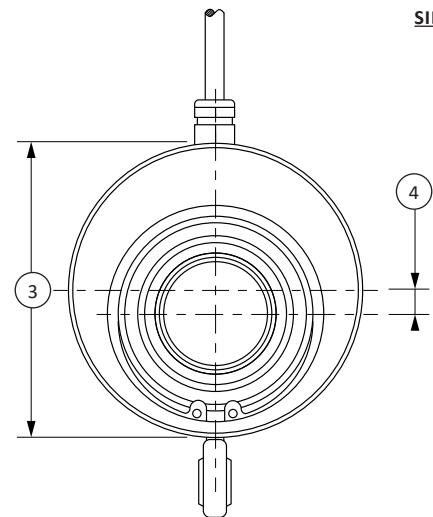
DIMENSIONS

See Drawing	CAPACITIES	
	Metric (Nm)	U.S. (lbf-in)
	300, 500	2.66K, 4.43K
	mm	in
(1)	170	6.7
(2)	46	1.8
(3)	Ø84	Ø3.3
(4)	7	0.3
(5)	Ø35	Ø1.4
(6)	Ø32g6	Ø(1.2595 / 1.2589)
(7)	38	1.5
(8)	Ø5	Ø0.2

FRONT VIEW



SIDE VIEW



International System of Units (SI) dimensions and capacities are provided for conversion only. Standard products have U.S. capacities and dimensions. SI capacities available upon special request and at an additional cost.