

TS18 SHAFT TO FLANGE STYLE REACTION TORQUE TRANSDUCER (U.S. & METRIC)

FEATURES & BENEFITS

- Capacities from 5 to 2K Nm (44.3 to 17.7K lbf-in)
- Keyed shaft per DIN 6885.1
- Convenient flange mounting

OPTIONS

- 100% Control Signal (RCAL)
- Combined Error 0.1% FS

SPECIFICATIONS

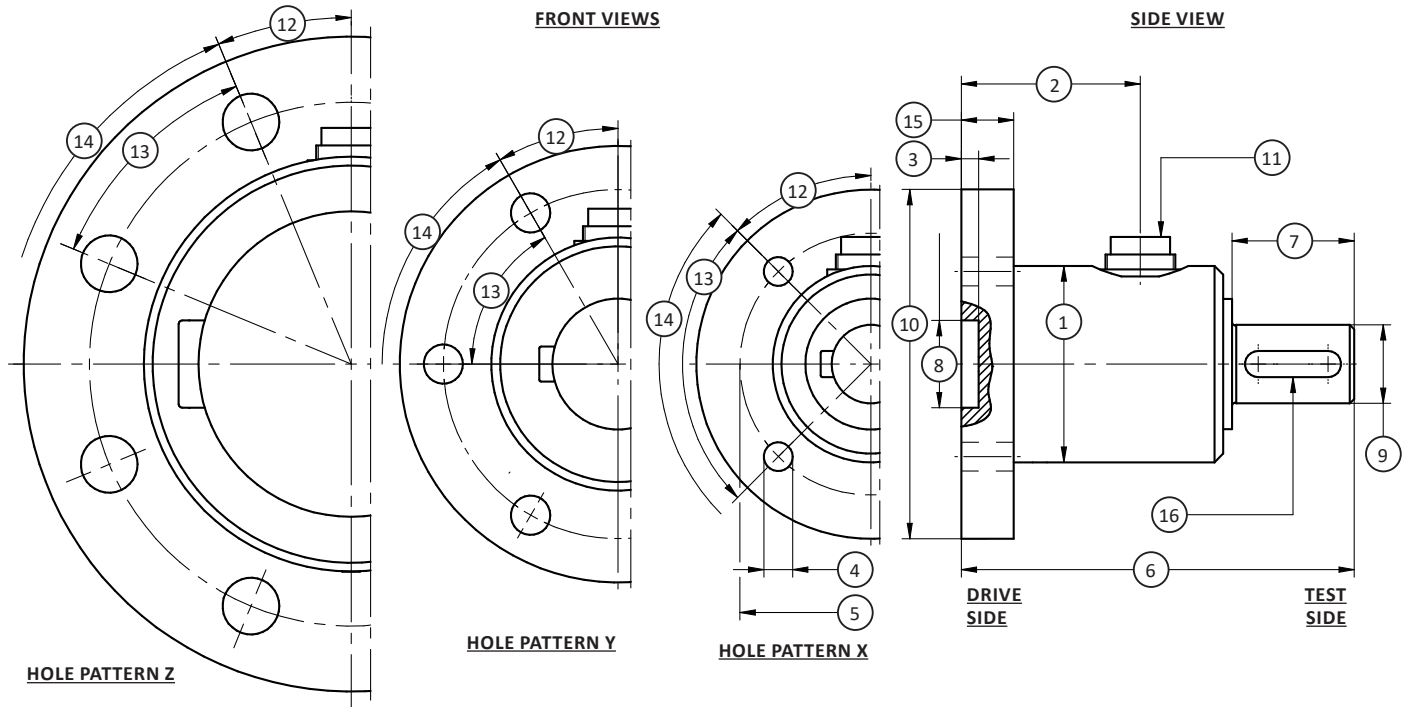
ACCURACY – (MAX ERROR)		
Combined Error – %FS		± 0.2
Nonrepeatability – %		± 0.02
TEMPERATURE		
Effect on Zero – %RO/ deg	°C	±0.02
Effect on Output – % / deg	°C	±0.01
Rated Range	°C	-5 to +45
	°F	+23 to +113
Operating Range	°C	-15 to +55
	°F	+5 to +131
ELECTRICAL		
Output – mV/V		1
Excitation Voltage – VDC MAX		12
Bridge Resistance – Ohm		350
Electrical Connection		6-pin binder
MECHANICAL		
Safe Overload – %RO		150
Angular Deflection @ Rated Torque		< 0.2
Material		Alloy steel



MODEL TS18 (Shown)

U.S. dimensions and capacities are provided for conversion only. Standard products have International System of Units (SI) capacities and dimensions.

TS18 SHAFT TO FLANGE STYLE REACTION TORQUE TRANSDUCER (U.S. & METRIC)



DIMENSIONS

See Drawing	CAPACITY									
	Hole Pattern X		Hole Pattern X		Hole Pattern Y		Hole Pattern Y		Hole Pattern Z	
	Metric (Nm)	U.S. (lbf-in)	Metric (Nm)	U.S. (lbf-in)	Metric (Nm)	U.S. (lbf-in)	Metric (Nm)	U.S. (lbf-in)	Metric (Nm)	U.S. (lbf-in)
	2, 5, 10, 20	17.7, 44.3, 88.5, 177	50, 100	443, 885	200, 500	1.77K, 4.43K	1K	8.85K	2K	17.7K
mm	in	mm	in	mm	in	mm	in	mm	in	
(1)	Ø40	Ø1.6	Ø45	Ø1.8	Ø58	Ø2.3	Ø65	Ø2.6	Ø95	Ø3.7
(2)	36	1.4	41	1.6	43	1.7	41	1.6	46	1.8
(3)	3.5	0.14	3.5	0.14	3.5	0.14	3.5	0.14	3.5	0.14
(4)	Ø5.5	Ø0.22	Ø6.6	Ø0.26	Ø9	Ø0.4	Ø11	Ø0.4	Ø13	Ø0.5
(5)	Ø50	Ø2.0	Ø60	Ø2.4	Ø80	Ø3.1	Ø100	Ø3.9	Ø120	Ø4.7
(6)	70	2.8	90	3.5	120	4.7	140	5.5	165	6.5
(7)	15	0.6	28	1.1	50	2.0	70	2.8	90	3.5
(8)	Ø20 H7	Ø(0.7882 / 0.7874)	Ø20 H7	Ø(0.7882 / 0.7874)	Ø20 H7	Ø(0.7882 / 0.7874)	Ø20 H7	Ø(0.7882 / 0.7874)	Ø20 H7	Ø(0.7882 / 0.7874)
(9)	Ø12 g6	Ø(0.4722 / 0.4718)	Ø18 g6	Ø(0.7084 / 0.7080)	Ø30 g6	Ø(1.1808 / 1.1803)	Ø40 g6	Ø(1.5744 / 1.5738)	Ø70 g6	Ø(2.7555 / 2.7548)
(10)	Ø70	Ø2.8	Ø80	Ø3.1	Ø100	Ø3.9	Ø120	Ø4.7	Ø150	Ø5.9
(11)	Connector 6-pin		Connector 6-pin		Connector 6-pin		Connector 6-pin		Connector 6-pin	
(12)	45°		45°		30°		30°		22.5°	
(13)	90°		90°		60°		60°		45°	
(14)	4x90° (=360°)		4x90° (=360°)		4x60° (=360°)		6x60° (=360°)		8x45° (=360°)	
(15)	10	0.4	12	0.5	15	0.6	15	0.6	20	0.8
(16)	Key DIN 6885-1		Key DIN 6885-1		Key DIN 6885-1		Key DIN 6885-1		Key DIN 6885-1	